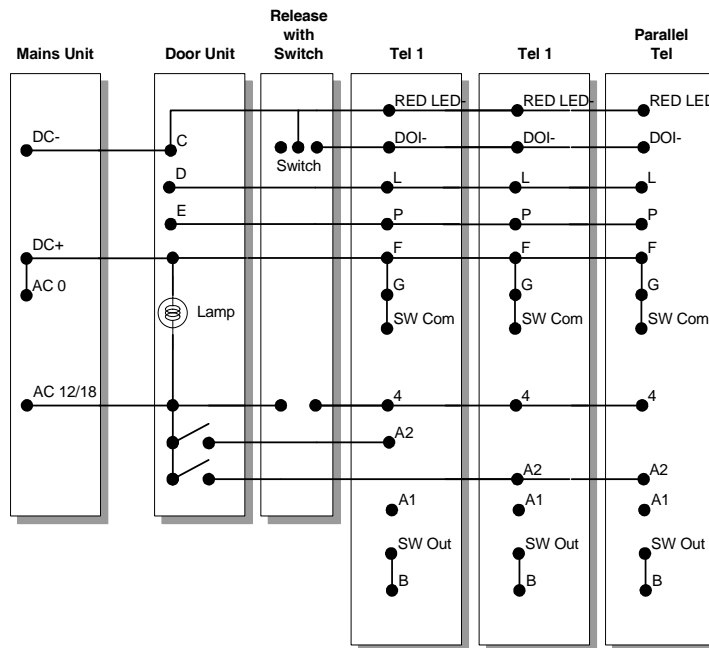


Plan 1 (Door)

Entryphone® Audio Wiring Diagram with 201S Telephones

A
U
D
I
O

Operation



Plan 1 is the most common form of system found. It provides communication between an entrance and any number of occupant plus remote releasing of the door. The diagram above shows 201-S telephones fitted giving the following additional features.

The list below indicates the function of each terminal, this provides useful reference particularly for tracing faults or for a fuller understanding of how the system works.

Door open indicator (green lamp)

The lamp will illuminate when the door is open. A release with an integral switch is required (eg DL141/R-CHOS). The circuit shows connection assuming the switch contacts are open when the door is locked.

On board jumper sets mode

- 1-2 Active only when the handset is off hook
- 2-3 Always Active

Ringer off indicator (red lamp)

The lamp will illuminate if the ringer is switched off.

Ringer switch

In the in position the ringer in the phone is disconnected.

Note:

1. Mains unit current limitations mean no more than 6 ringers will ring simultaneously.
2. Adjustment of overall speech volume is achieved by varying the DC speech voltage.
3. Ensure all links are inserted where shown.

At	Terminal	Description
D/U	C	DC COMMON FOR SPEECH AT DU
D/U	D	SPEECH TO PHONE
D/U	E	SPEECH FROM PHONE
D/U	Lamp 24V	LAMP FOR BACK LIGHTING
M/U	0	AC OUTPUT
M/U	+/0	DC & AC COMMON OUTPUT
M/U	-	DC OUTPUT (SPEECH)
M/U	12/18	AC OUTPUT
TEL	4	BOTTOM BUTTON
TEL	A1	CALL LINE (BUZZER)
TEL	A2	CALL LINE (WARBLE)
TEL	B	BUZZER COMMON
TEL	F	COMMON FOR SPEECH
TEL	G	COMMON FOR BUTTONS
TEL	L	SPEECH FROM DOOR
TEL	P	SPEECH TO DOOR
TEL	LED -	RINGER OFF INDICATOR (RED LED)
TEL	DOI -	DOOR OPEN INDICATOR (GREEN LED)

**PROBLEM?
PLEASE DO NOT HESITATE TO CONTACT OUR
TECHNICAL DEPARTMENT**

WE ARE HERE TO HELP!