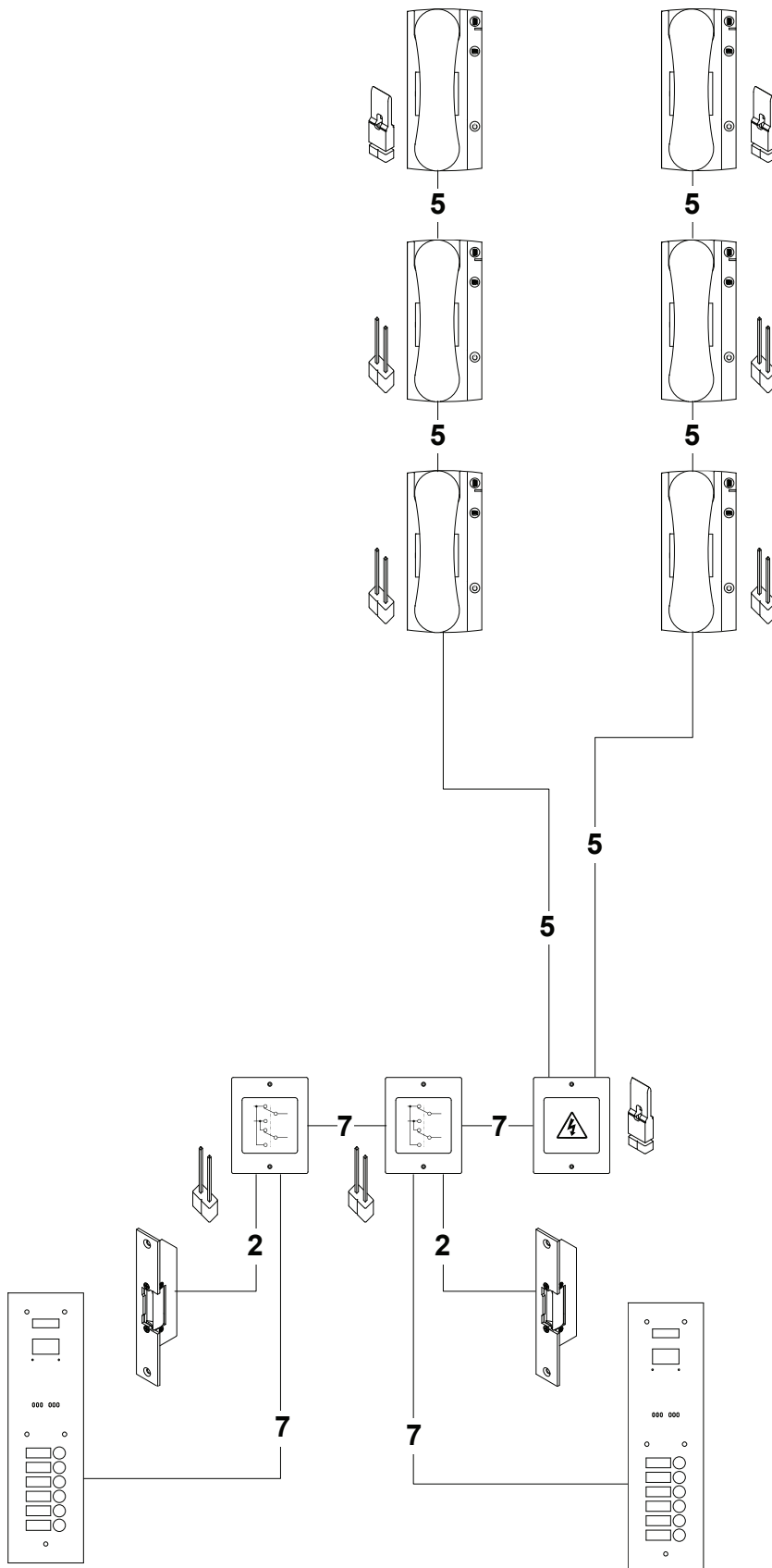


Multi Door - 500 Series



System Description

Multi-door panel video system using 500DCU door capture relays.

The 500DCU relay unit enables any number of door panels to be fitted on a system.

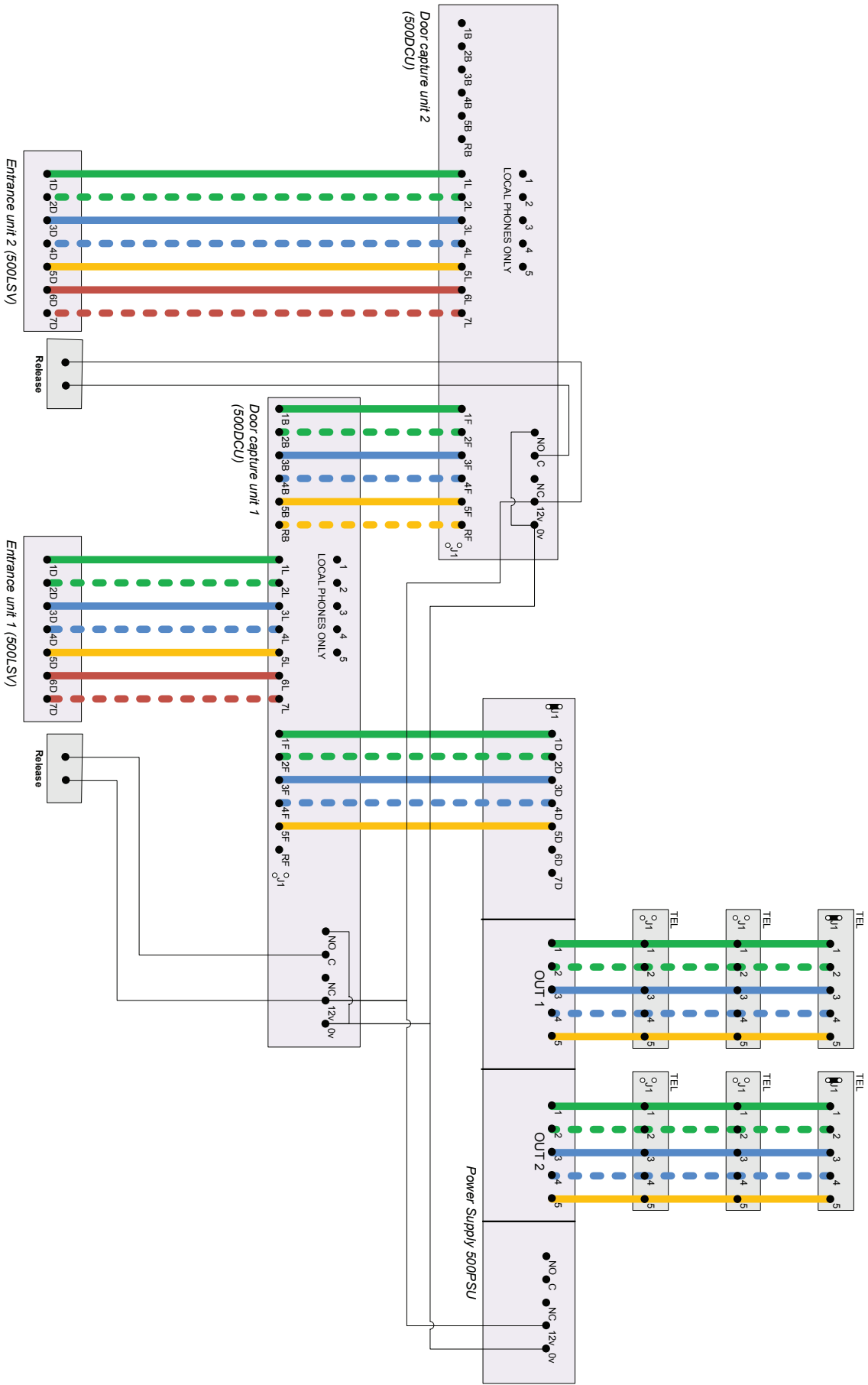
When a button is pressed on any door panel the relay switches the circuitry on in that panel and sends a signal to turn off the other panels.

The system shown is a two door six-way system with wiring in two legs from the power supply/splitter i.e. two runs of three loop wired phones from the two phone outputs in the power supply. The diagrams here show just two doors served but the DCU can be daisy-chained for additional panels.

Termination links (jumpers) must be removed in mid-line apparatus.

This diagram should be used in conjunction with the main 500 series wiring and installation notes.

Connections



Key: Line function

- 1 Video - GRN/ WHT
- 2 Video + WHT/ GRN
- 3 Data BLU/ WHT
- 4 24V- WHT/ BLU
- 5 24V+ ORG/ WHT
- 6 Lock Data + BRN/ WHT
- 7 Lock Data - WHT/ BRN