

VR Series Entrance Units



VR Range

- Video compatible
- Low profile stainless buttons
- Laser engraved lettering
- Tamper resistant fixings
- Available in brushed or mirror polish stainless steel

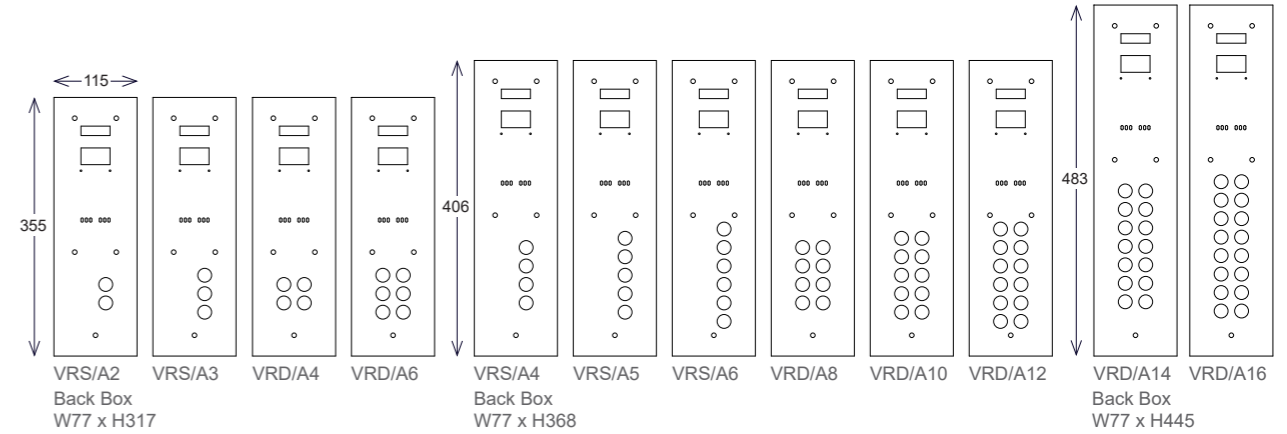
The Entryphone® VR panels are made to order for when it is considered that the units are particularly prone to undesirable attention. Although similar in shape to the standard panels, instead of interchangeable name inserts, numerals are laser engraved into the panel alongside each button. The buttons themselves are shrouded and extremely robust. All units are supplied with weather-resistant speech module, and tamper-resistant hex-key fixings.

Units can be ordered either as audio or video versions or if required be updated to video at a later date.

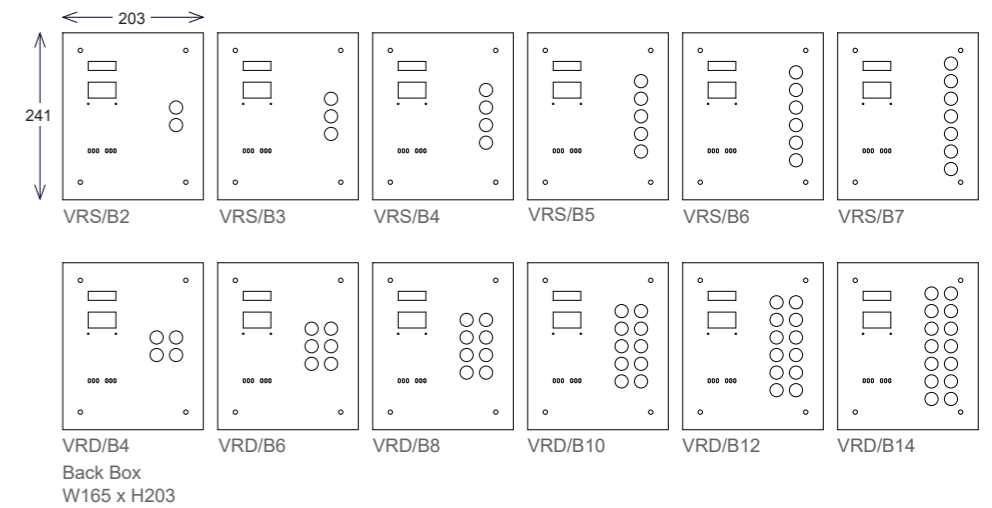
Made to order

As well as our standard sizes, special 9200 and VR panels are available made to order. Occasionally circumstances dictate that a standard shape panel will not fit in the space available or additional items are required, such as a proximity reader, coded access or special engraving. Let us know your requirements and we will prepare a drawing for your approval.

VR/A



VR/B



VR/C

