

# FPV Series Telephones



## 530FPV

- 3.5" colour LCD screen
- Mirror or brushed stainless steel
- Electronic ringer
- No handset
- Hidden magnetic fixings

The Entryphone® 530FPV is the stainless steel plate version of the PTS colour video telephone.

This unit is intended for new-build or refurbishments where the back box is flushed into the wall during building work.

The 530FPV telephones is available in either brushed or mirror polish stainless in two models to facilitate release, second camera switching, door monitoring, mute functions and porter call as may be required.

Lock release switch and door open indicator



Ring mute switch and indicator



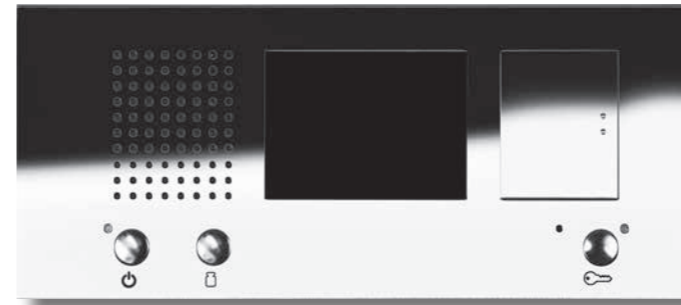
Auxiliary switch (e.g. porter, second lock etc.)



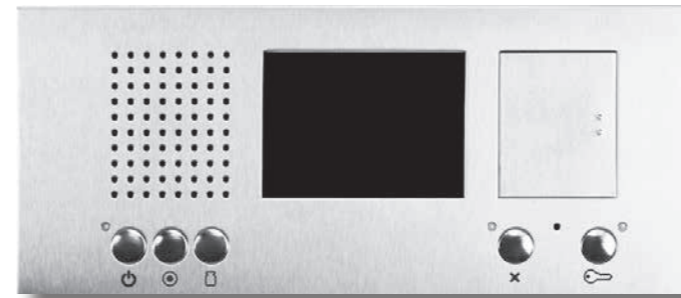
Dual camera switch



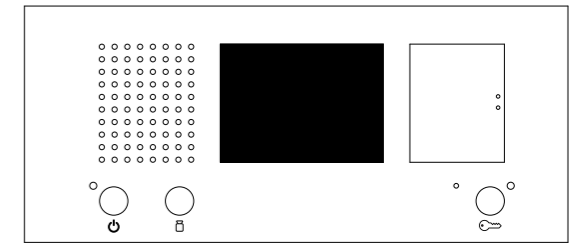
On switch



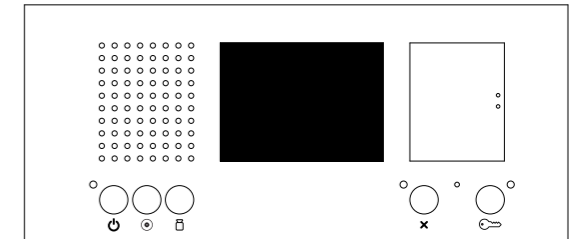
Mirror polish stainless steel



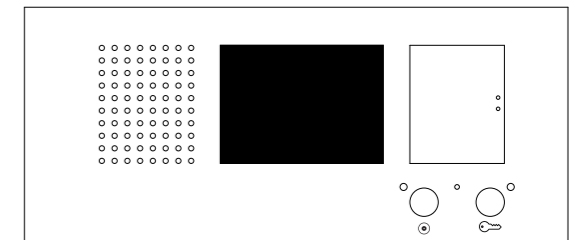
Brushed stainless steel



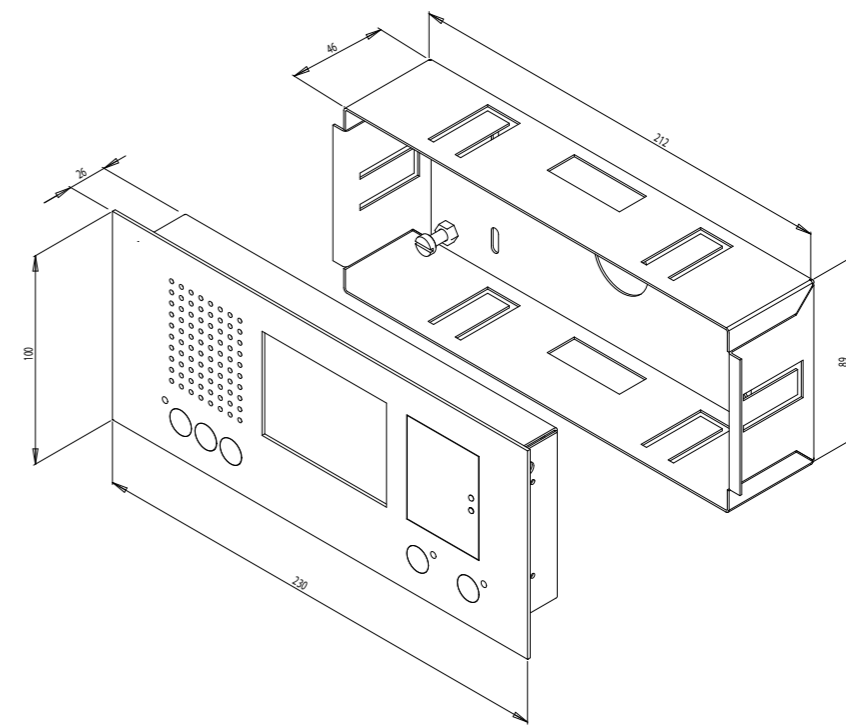
531FPV



534FPV



232FPV



\* Note: 232FPV model is a compatible replacement video telephone for 900 and 200 series systems only. For new video installations use 500 series.