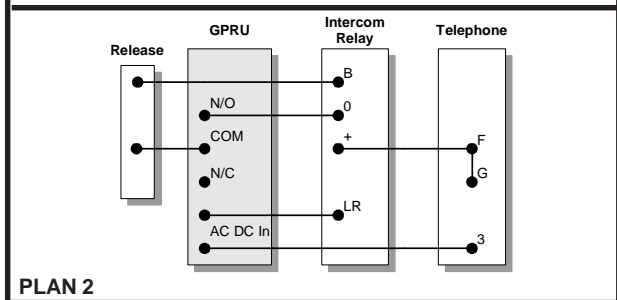
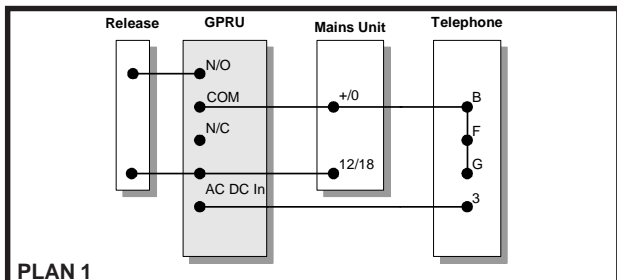


GPRU - General Purpose Relay Unit

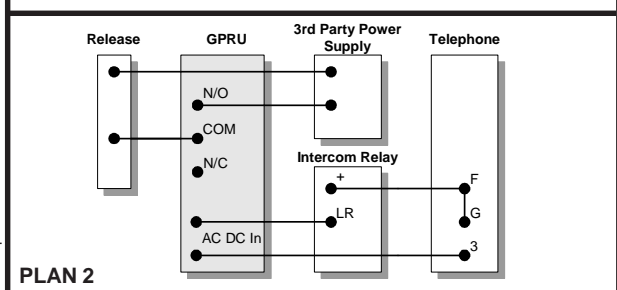
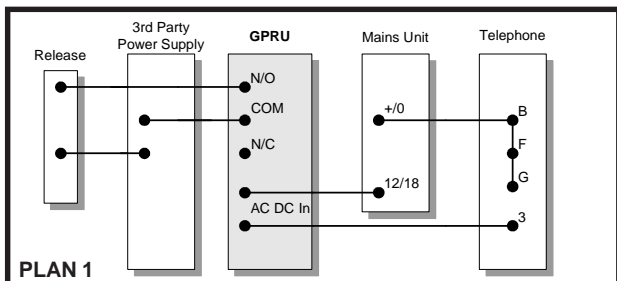
The GPRU is a 12 amp relay mounted with a bridge rectifier on a small PCB it can be operated AC or DC on either 5 or 12 volts (jumper select).

It has two main applications:

1. The GPRU requires considerably less current to operate than an electric release so it can be put in circuit to switch the voltage supply locally to avoid problems of volt drop on long cable runs.



2. To switch a third party device that has its own power supply.



GPRU.p65